

SPECIFICATIONS

| MODEL | | GS-12A | GS-12M |
|-----------------------|-----------------------|--|-------------------|
| DIMENSION | Foot Print | 17.8"x22.4" | 17.8"x22.4" |
| | Overall Length | 25.6" | 25.6" |
| | Overall Width | 23.4" | 23.4" |
| | Overall Height W/Feet | 27.4" | 23.6" |
| MOTOR | Knife Motor | 1/2HPx1phxAC115Vx60Hz(GS-12A) 1/2HPx1phxAC115Vx60Hz(GS-12M) | |
| | Chute Motor | 1/8HPxDC90W(GS-12A) | |
| Speed | | Max 52 slices/min | |
| Diameter of knife | | Dia 12" | Dia 12" |
| Slices Thickness | | tissue thin~1" thick | |
| Net Weight | | 173lbs | 130lbs |
| Shipping weight | | 220lbs | 177lbs |
| Box dimensions(LxDxH) | | 29.5"x28.3"x31.5" | 29.5"x28.3"x27.5" |

*Design and specifications can be changed without prior notice for product improvement.

* Ergonomic Style Chute Handle

Comfortable and stable ergonomic style grip on the chute handle provides easy glide manual operation.

* Knife Blade

The exclusively made in Germany holds the cutting edge longer, requires fewer sharpening, resists corrosion and provides precision cutting and more uniform slices each and every time.

* Heavy Stainless Steel End Weight

Heavy end weight lets you slice tiny pieces to the end and eliminates waste.

* Operator Side End Weight Rod

By placing the End Weight Rod on the operator side of the chute the product is held tighter on slicing.

* Top Mount Knife Sharpener

Sharpener won't get lost or dropped, aligns consistently to the knife and provides single step easy to use maintenance, swings away from food contact area when not in use.

* Safe Knife Cleaning

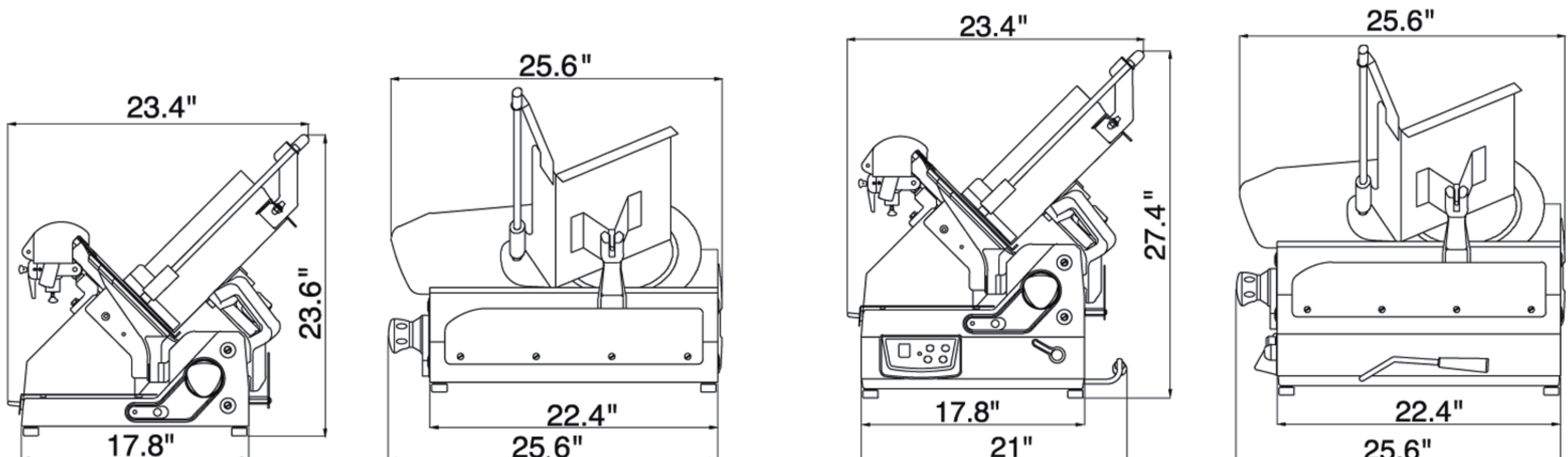
German Knife heavy duty permanently attached Knife Ring Guard and an interlock Knife Cover.

These features help protect the operator from contacting the blade's edge while cleaning.

* Slice Thickness Adjustment

Precise slice thickness adjustment lets you slice from tissue thin to 1" thick.

(unit : inch)



GS-12M VIEW (Manual)

GS-12A VIEW (Automatic)